

**DRY ON**  
**THE FLY** |  FRICTION REDUCER™



MATRIX TOLL  
MANUFACTURING  
PATENTED

**UNLEASHING**  
**ULTRA-FAST**  
**HYDRATION**  
FOR SUPERIOR  
PERFORMANCE

MATRIX TOLL MANUFACTURING PATENTED

**DRY ON**  
**THE FLY**

FRICTION REDUCER™



- [OPS@MATRIXTOLL.COM](mailto:OPS@MATRIXTOLL.COM)
- (304) 641 0059 - (814) 720 9638
- 2208 E COUNTY ROAD 130 MIDLAND, TEXAS 79706 US

# BENEFITS OF DRY ON THE FLY

FRICITION REDUCER™

 **ULTRA-FAST HYDRATION**

 **DIRECT INJECT DRY FR**

 **LOWER CARBON FOOTPRINT**

 **NO VOC**

 **FRESHWATER TO EXTREME BRINE RANGE**

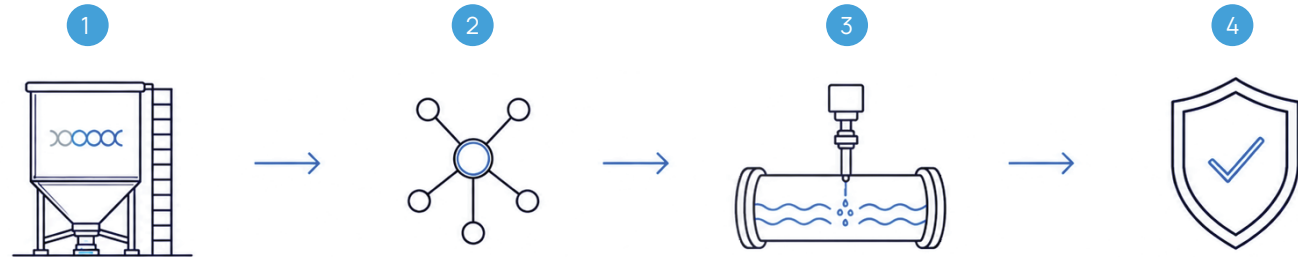
 **SUPERIOR PERFORMANCE**

 **LOWER COST**

 **SIGNIFICANT COST SAVINGS (\$1.0M/YEAR PER CREW)**

 **FULLY SELF-CONTAINED**

## HOW IS IT POSSIBLE?



### DRY BULK DELIVERY

Dry friction reducer is delivered in compact bulk form directly to location.

### NANO SURFACTANT ACTIVATION

Patented nano surfactants activate instantly upon contact with water.

### DIRECT INJECTION & RAPID HYDRATION

The system injects directly into flow without maturation tanks, enabling ultra-fast hydration.

### OPTIMIZED FRICTION REDUCTION

Stable long-term friction reduction performance in high-TDS brine environments.

## ENVIROMENTAL RESPONSIBILITY

Our technology supports a more efficient and environmentally responsible operation by reducing transportation demand, lowering emissions, and minimizing overall operational footprint. By simplifying logistics and improving system efficiency, Dry On The Fly helps deliver superior performance while supporting lower operating costs and a better future for modern oil and gas operations.

- DRY FR
- MATRIX TOLL PATENTED
- PRODUCT DATA SHEET

# BENEFITS OF DRY BULK SYSTEM

 **RAPID & PRECISE DISTRIBUTION**

 **DIRECT INJECTION READY**

 **HIGH-CAPACITY BULK STORAGE**

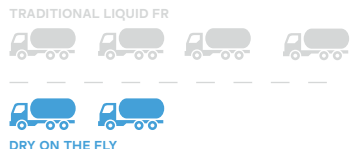
 **HEAVY-DUTY FIELD CONSTRUCTION**

 **REDUCED LOGISTICS DEMAND**

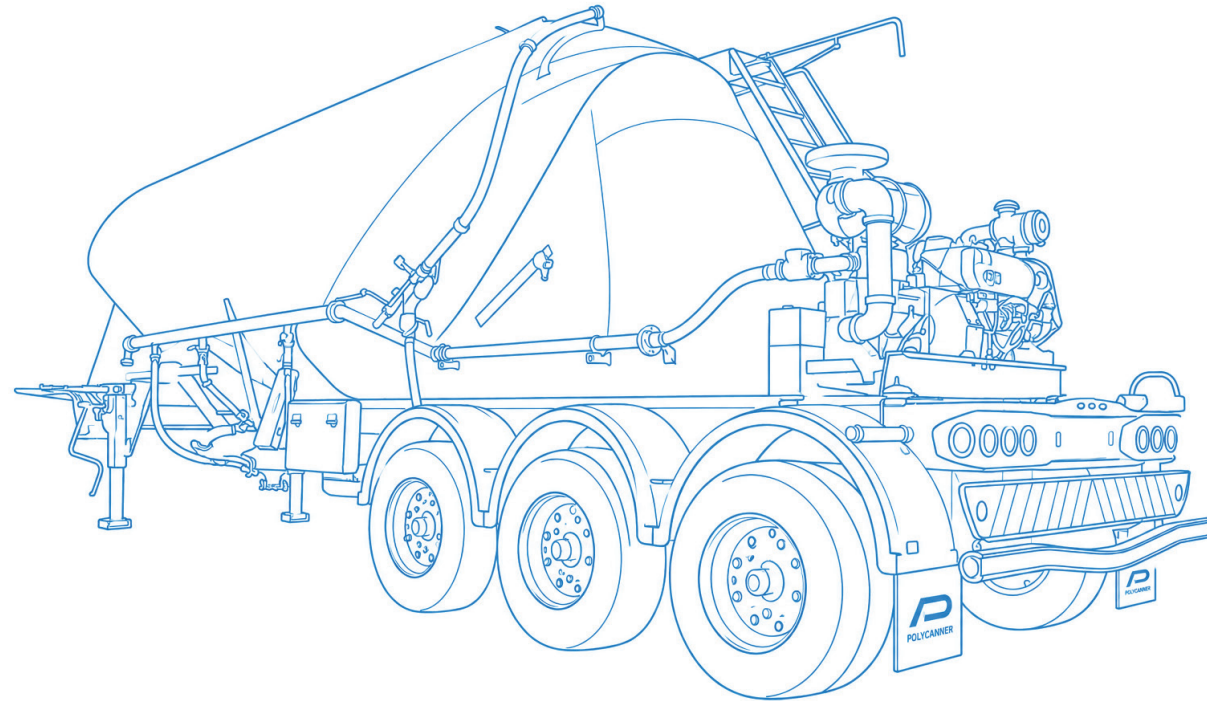
 **FULLY SELF-CONTAINED**



UP TO  
**30%**  
LOWER CO<sub>2</sub>  
EMISSIONS



**2.5X**  
LESS  
LOGISTICS



## DRY BULK AND APPLICATION SYSTEM

Our dry bulk handling system ensures rapid and precise distribution, eliminating the need for large maturation tanks. By integrating directly with the application process, the system helps simplify deployment while improving overall friction reducer performance in the field.

This approach reduces logistics demands, lowers operational costs, and supports a more efficient pumping operation. Designed for reliability and ease of use, our Dry Bulk and Application System provides a compact, high-performance solution for modern fracturing operations.

### IN ADDITION TO FR

We are specializing in manufacturing:

- SCALE INHIBITORS
- BIOCIDES

### OTHER SERVICES

We can provide turnkey service by supplying pump crews.

### WEBSITE

For more information visit [matrixtoll.net](http://matrixtoll.net)

---

GET IN TOUCH WITH MATRIX TOLL MANUFACTURING

---



• [OPS@MATRIXTOLL.COM](mailto:OPS@MATRIXTOLL.COM)

• (304) 641 0059 /// (814) 720 9638

• 2208 E COUNTY ROAD 130 MIDLAND, TEXAS 79706 US

---

WWW.MATRIXTOLL.NET

---